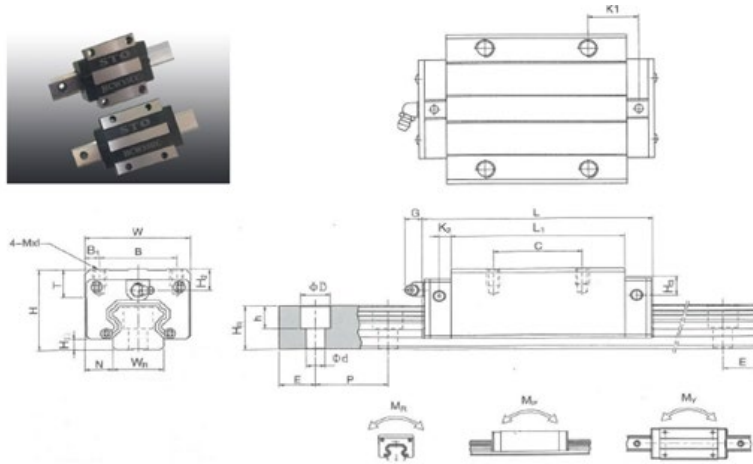


直线导轨轴承

LINEAR guide bearing



HC 高负荷荷重形 HCW-CC /HCW-HC



轴承型号 Bearing NO.	主要尺寸 (mm) Dimentions				滑块尺寸 (mm) Block Dimentions														导轨尺寸 (mm) Rail Dimentions						重量 Weight		
	H	H1	N	W	B	B1	C	L1	L	K1	K2	G	M	T	T1	T2	H2	H3	WR	HR	D	h	d	P	E	kg	kg/m
HCW 15CC	24	4.3	16.0	47.0	38.0	4.5	30.0	39.4	61.4	8.0	4.85	5.3	M5	6.0	8.9	6.95	3.95	3.7	15.0	15.0	7.5	5.3	4.5	60.0	20.0	0.17	1.45
HCW 20CC	30	4.6	21.5	63.0	53.0	5.0	40.0	50.5	77.5	10.25	6.0	12.0	M6	8.0	10.0	9.5	6.0	6.0	20.0	17.5	9.5	8.5	6.0	60.0	20.0	0.40	2.21
HCW 20HC								65.2	92.2	17.6																0.52	
HCW 25CC	36	5.5	23.5	70.0	57.0	6.5	45.0	58.0	84.0	10.7	6.0	12.0	M8	8.0	14.0	10.0	6.0	5.0	23.0	22.0	11.0	9.0	7.0	60.0	20.0	0.59	3.21
HCW 25HC								78.6	104.6	21.0																0.80	
HCW 30CC	42	6.0	31.0	90.0	72.0	9.0	52.0	70.0	97.4	14.25	6.0	12.0	M10	8.5	16.0	10.0	6.5	10.8	28.0	26.0	14.0	12.0	9.0	80.0	20.0	1.09	4.47
HCW 30HC								93.0	120.4	25.75																1.44	
HCW 35CC	48	7.5	33.0	100.0	82.0	9.0	62.0	80.0	112.4	14.6	7.0	12.0	M10	10.1	18.0	13.0	9.0	12.6	34.0	29.0	14.0	12.0	9.0	80.0	20.0	1.56	6.30
HCW 35HC								105.8	138.2	27.5																2.06	
HCW 45CC	60	9.5	37.5	120.0	100.0	10.0	80.0	97.0	139.4	13.0	10.0	12.9	M12	15.1	22.0	15.0	8.5	20.5	45.0	38.0	20.0	17.0	14.0	105.0	22.5	2.79	10.41
HCW 45HC								128.8	171.2	28.9																3.69	
HCW 55CC	70	13.0	43.5	140.0	116.0	12.0	95.0	117.7	166.7	17.35	11.0	12.9	M14	17.5	26.5	17.0	12.0	19.0	53.0	44.0	23.0	20.0	16.0	120.0	30.0	4.52	15.08
HCW 55HC								155.8	204.8	36.4																5.96	
HCW 65CC	90	15.0	53.5	170.0	142.0	14.0	110.0	144.2	200.0	23.1	14.0	12.9	M16	25.0	37.5	23.0	15.0	15.0	63.0	53.0	26.0	22.0	18.0	150.0	35.0	9.17	21.18
HCW 65HC								203.6	259.6	52.8																12.89	

注: 1kgh=9.81N